
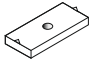
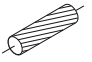
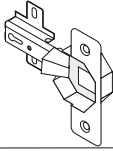

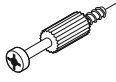

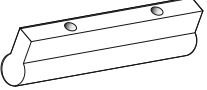
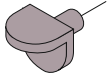

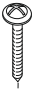
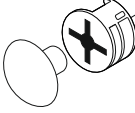
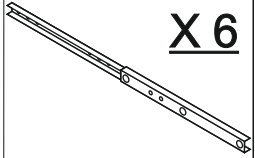
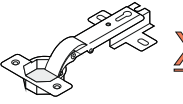
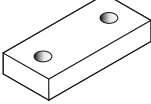






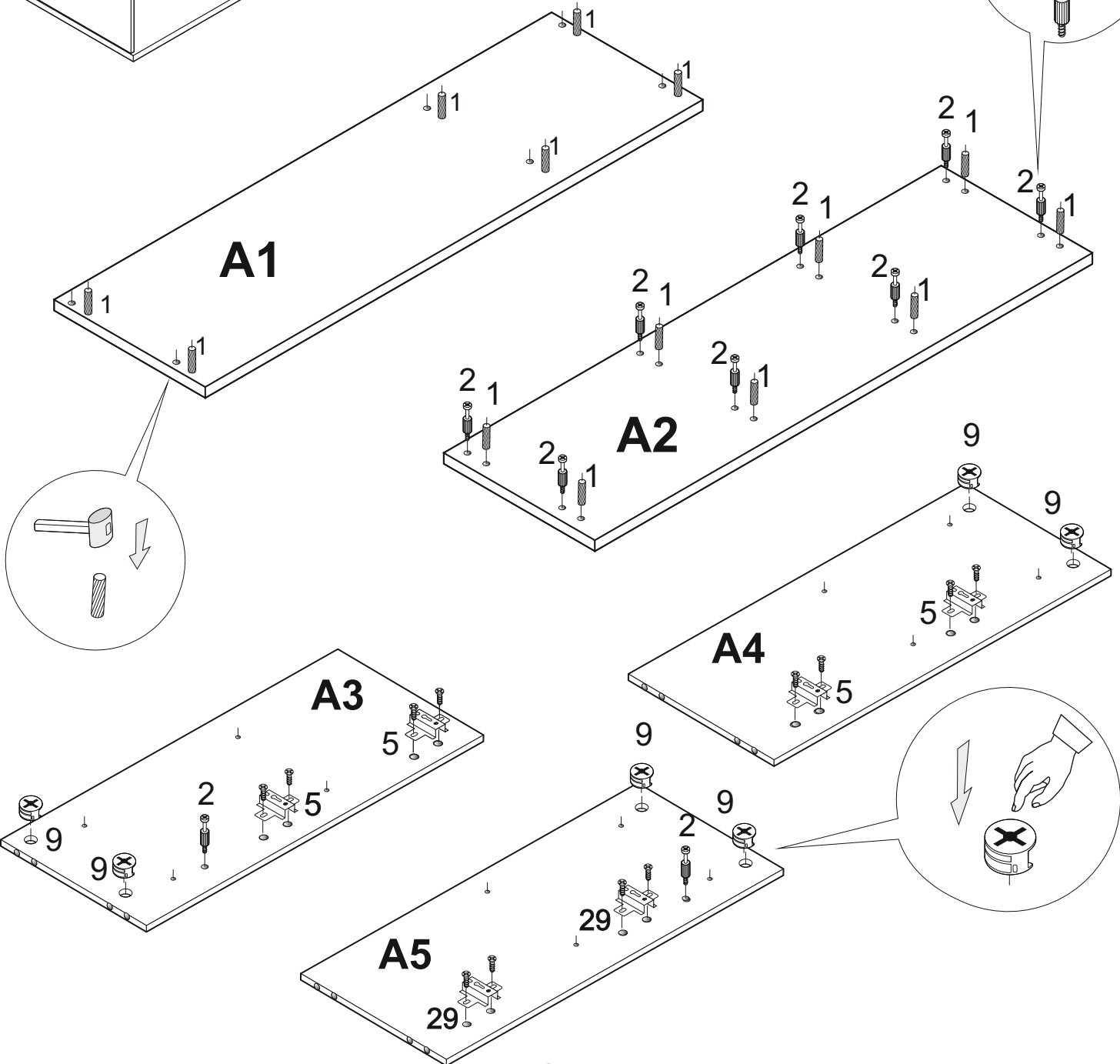
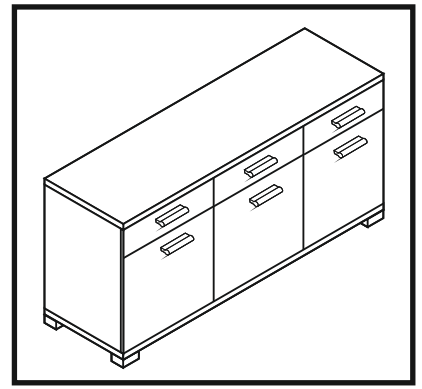
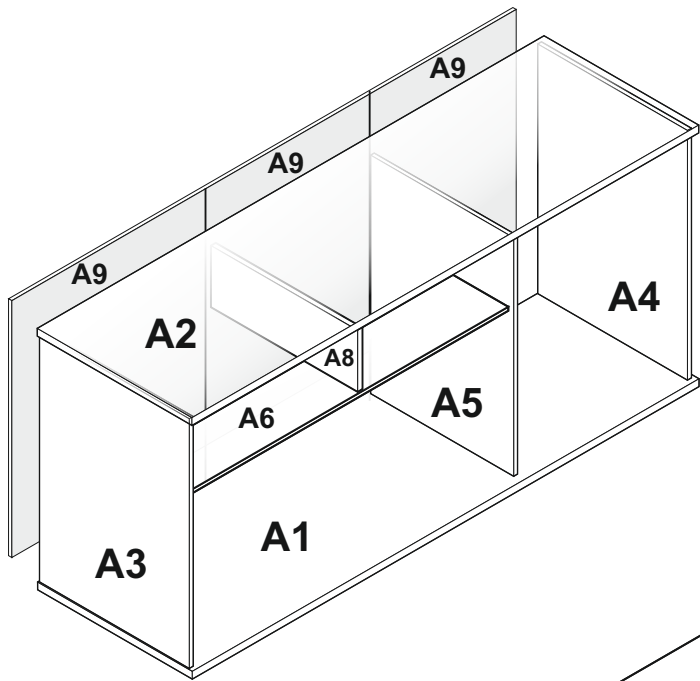
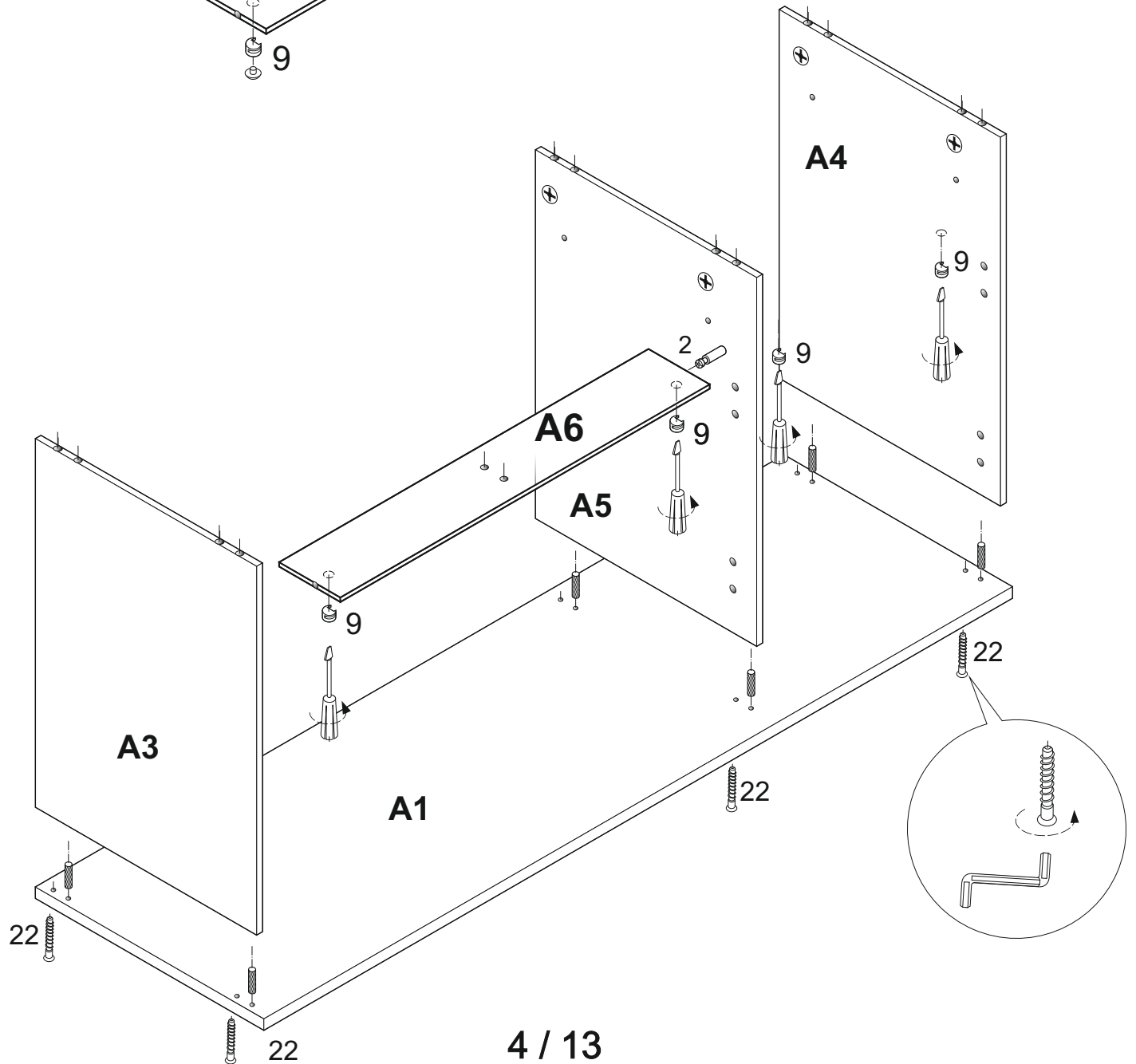
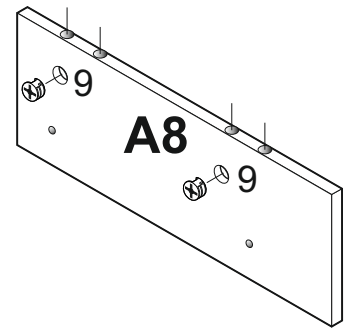
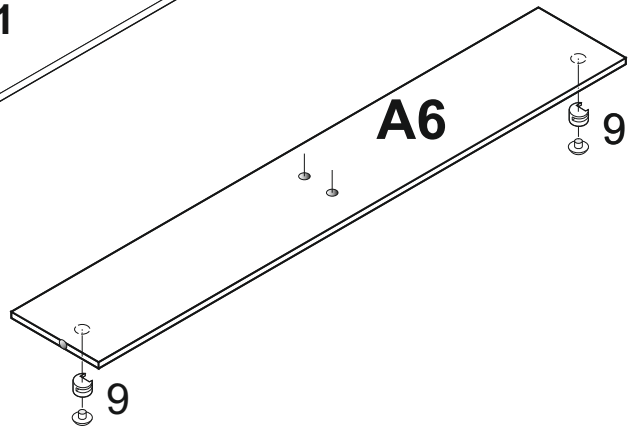
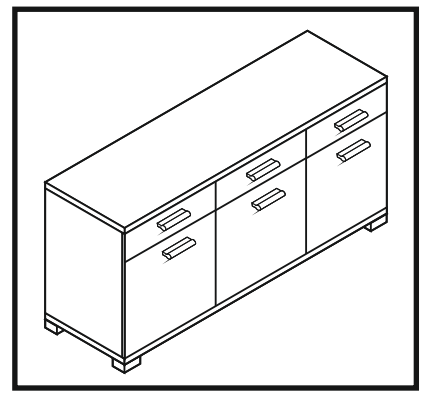
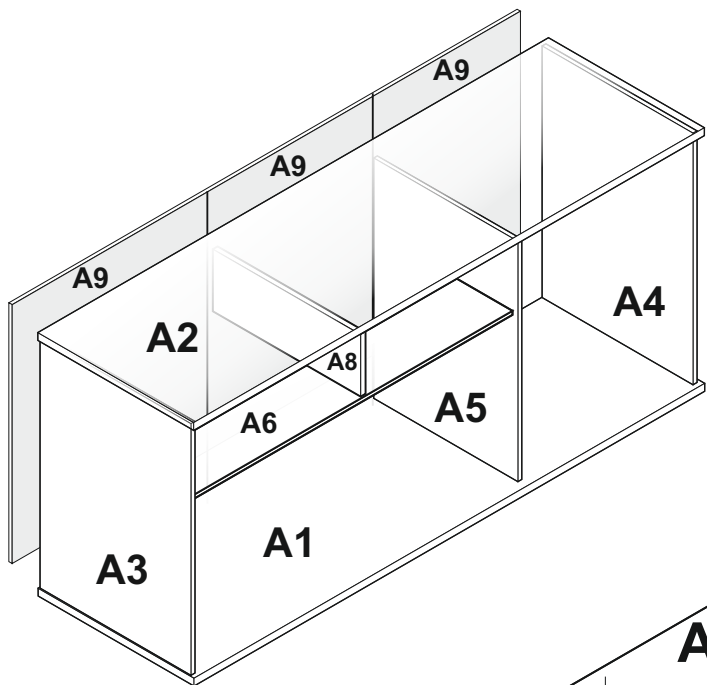
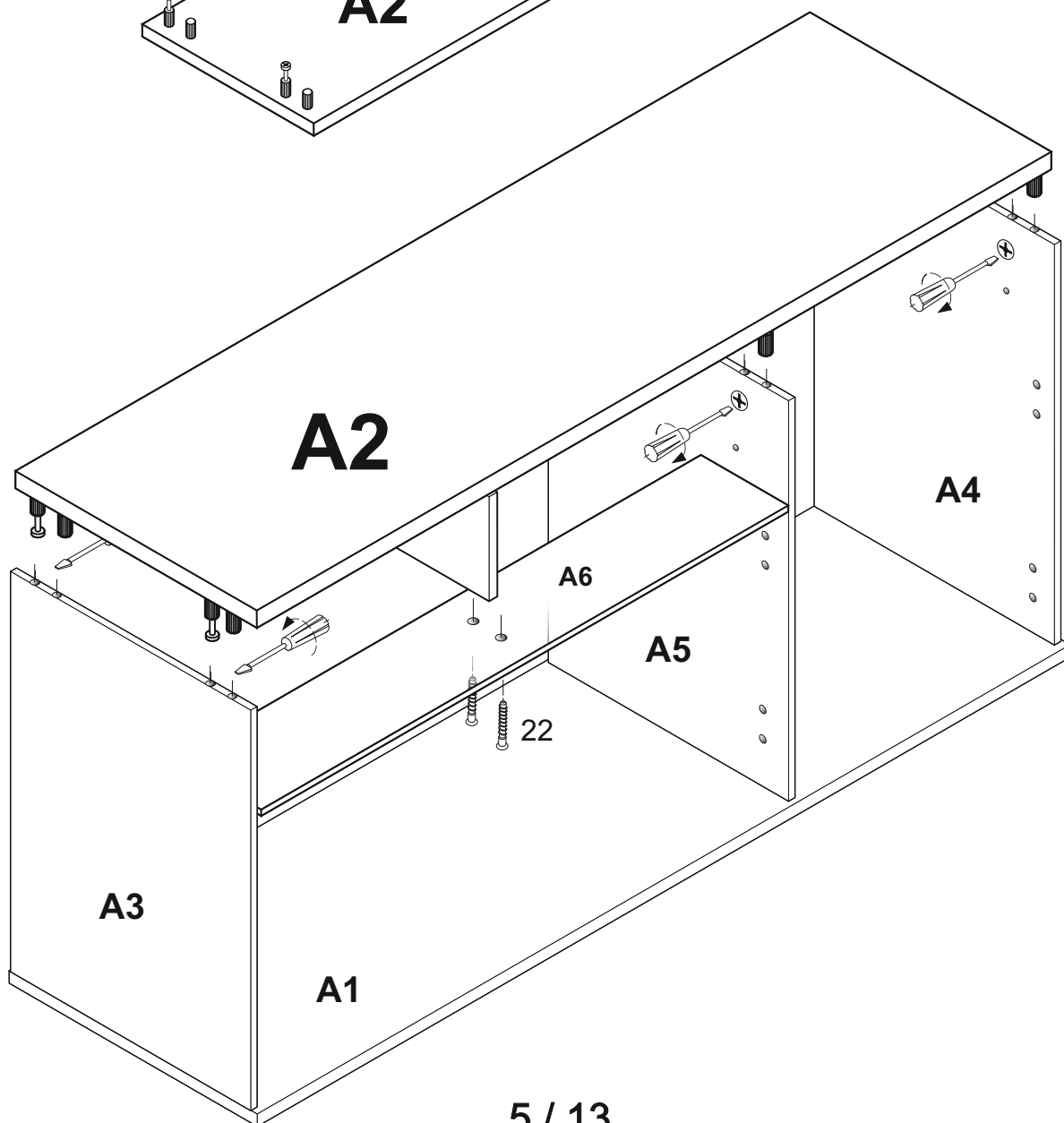
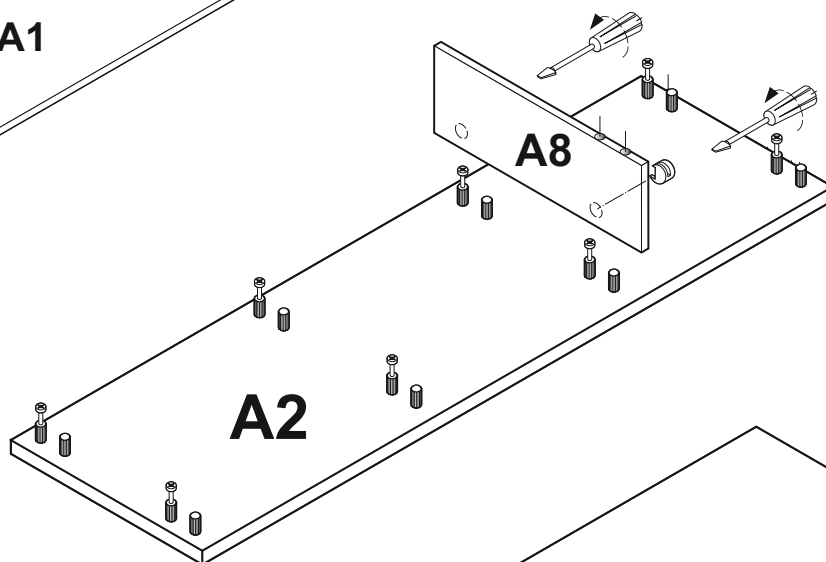
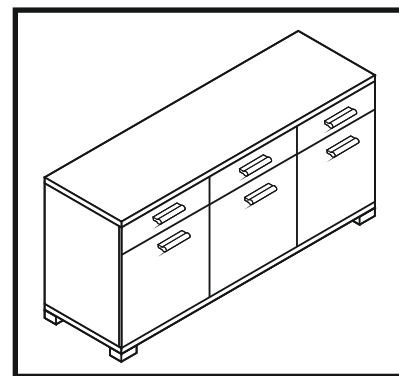
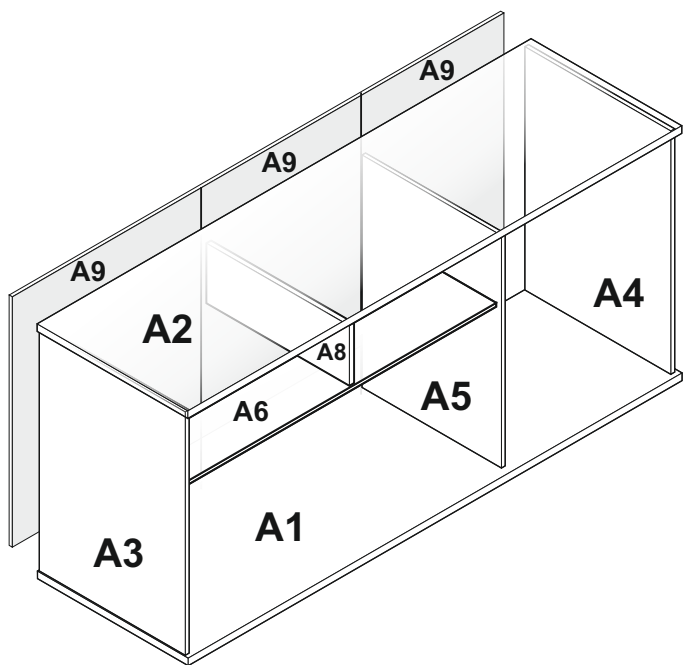
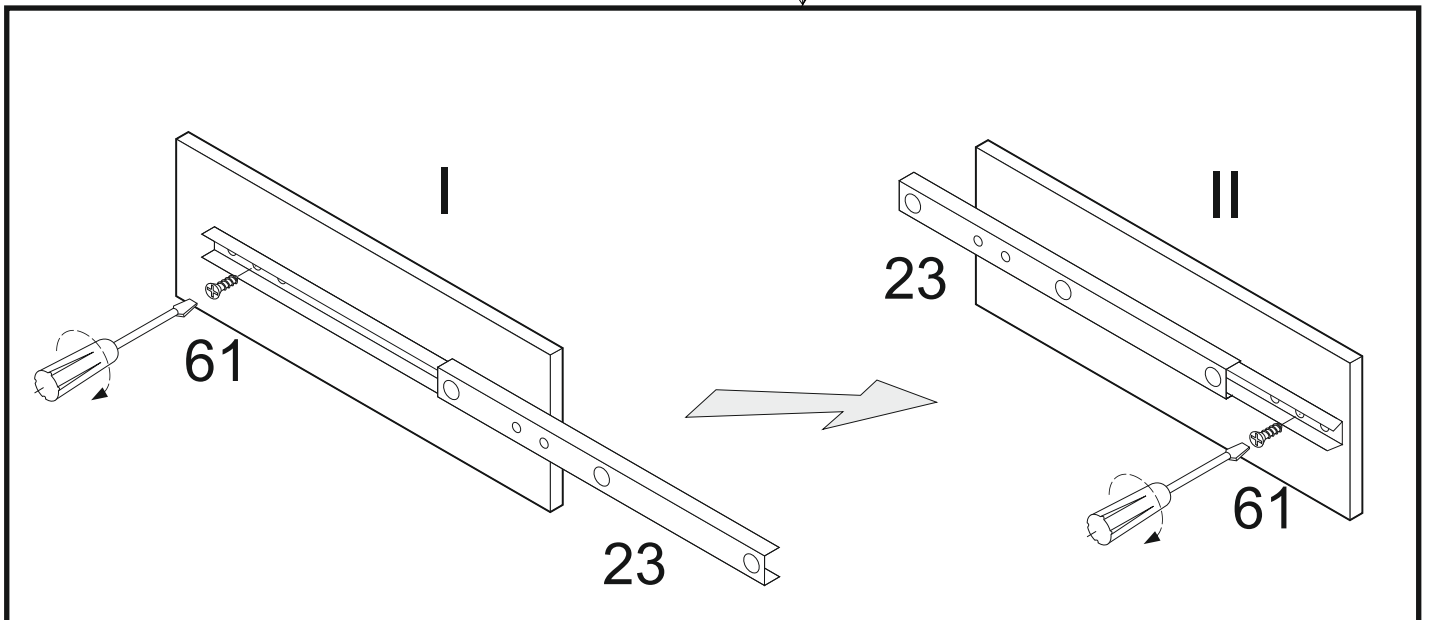
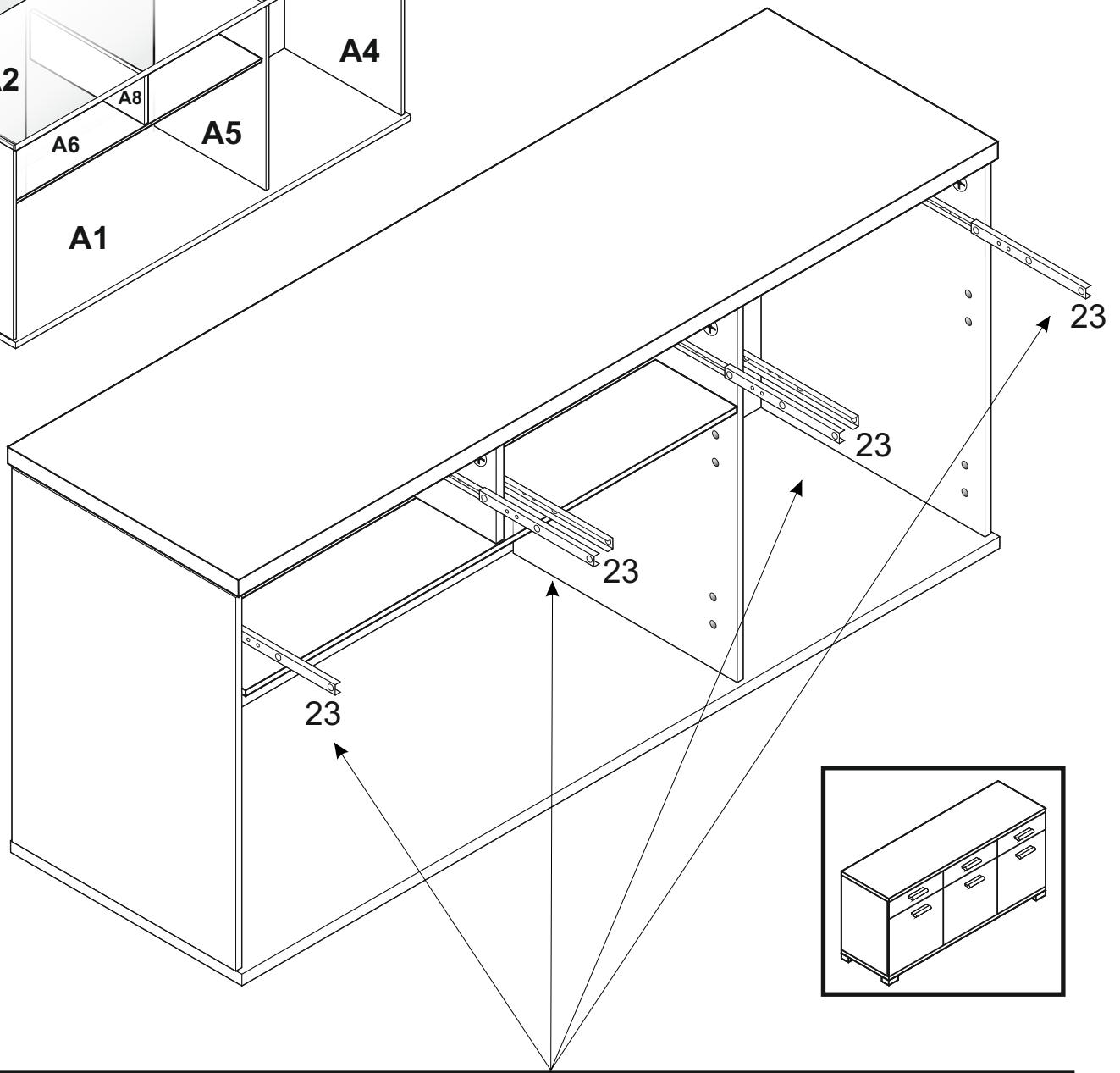
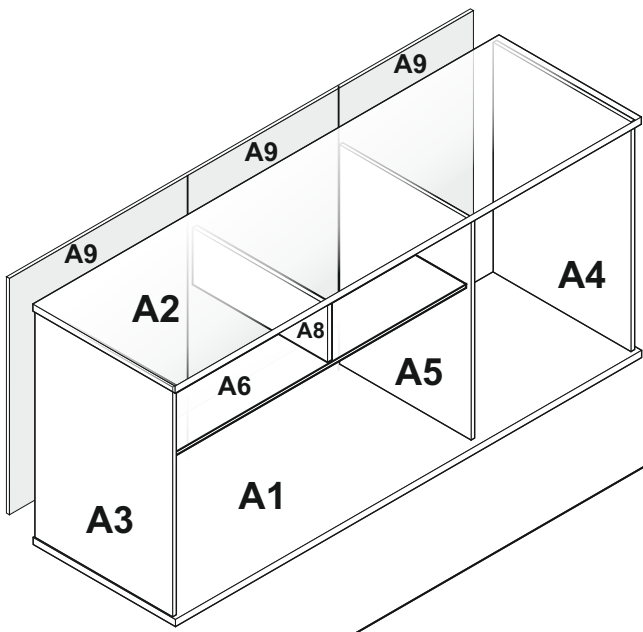


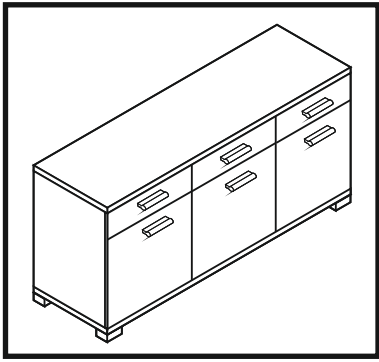
		39	 X 5	35	 X 5
1	 X 20	29	 X 2	30	 X 1
2	 X 16			22	 X 20
3	 X 6	13	 X 8	25	 X 6
4	 X 18	9	 X 10	23	 X 6
5	 X 4	10	 X 5	61	 X 12
6	 X 22	26	 X 1	60	 X 1
12	 X 80	24	 X 6		



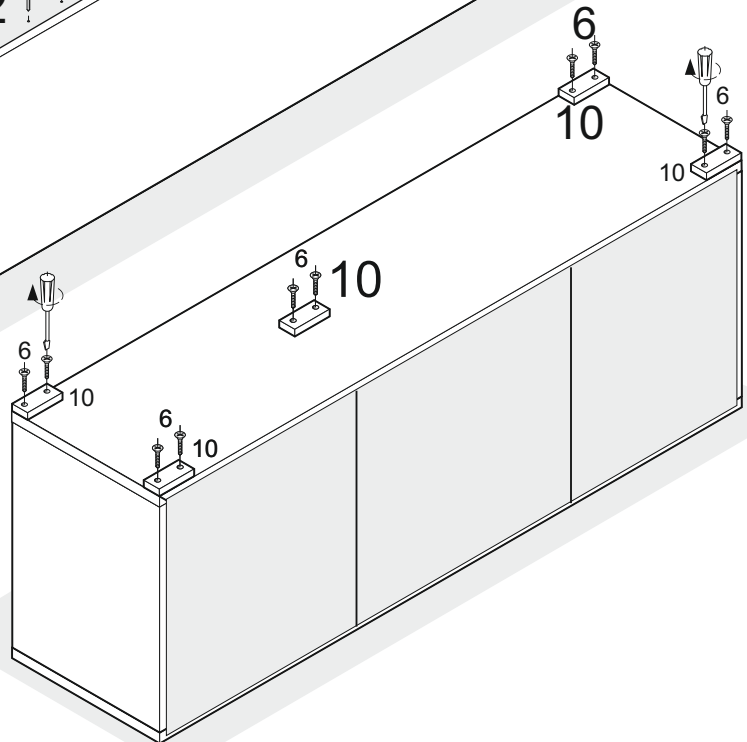
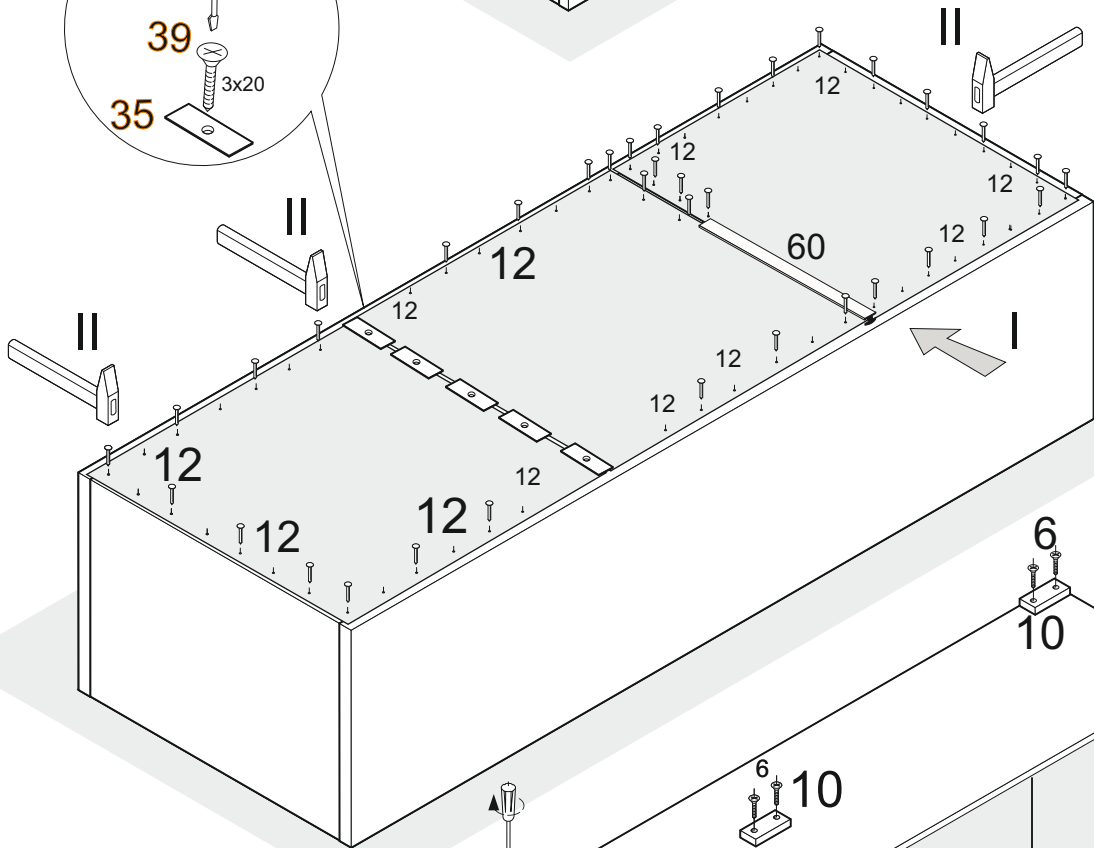
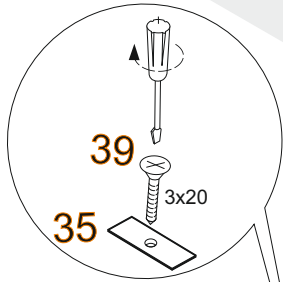
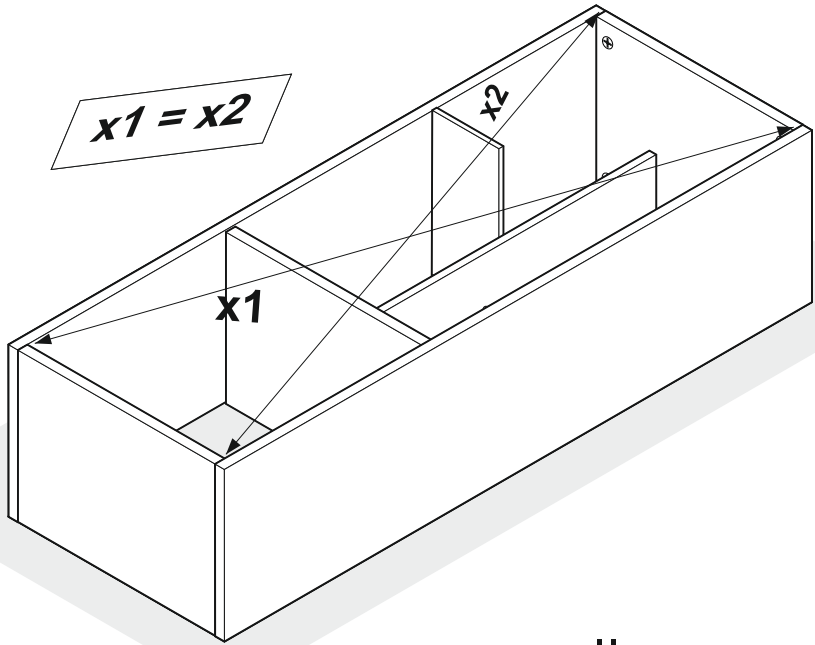


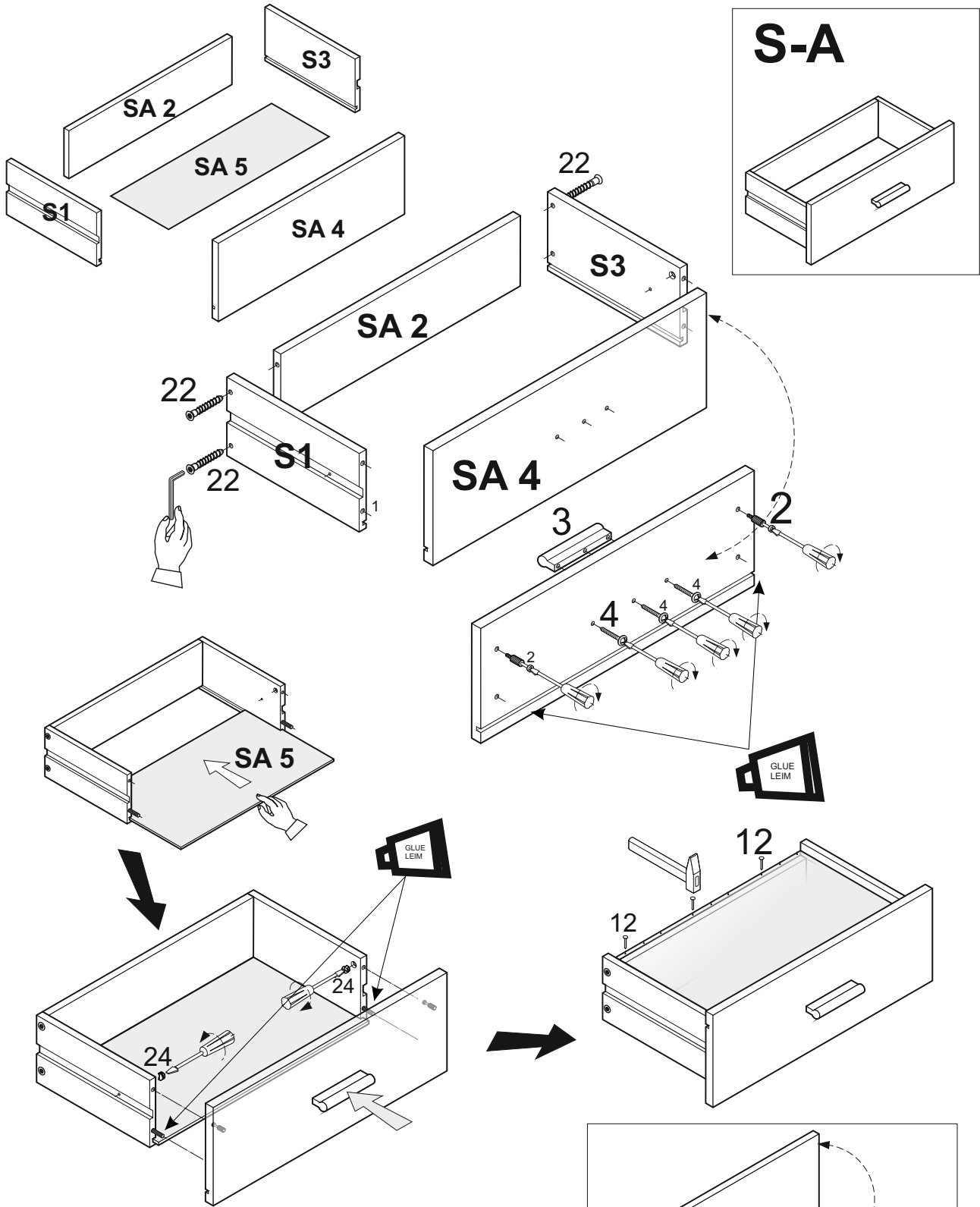






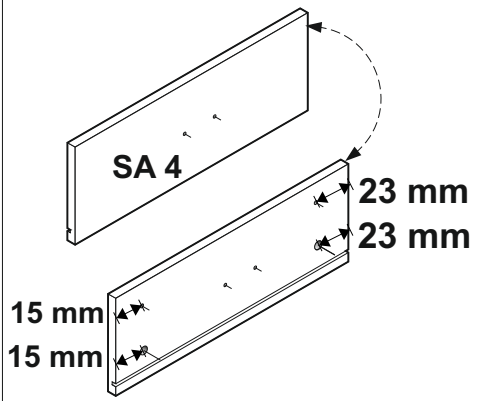
$x1 = x2$

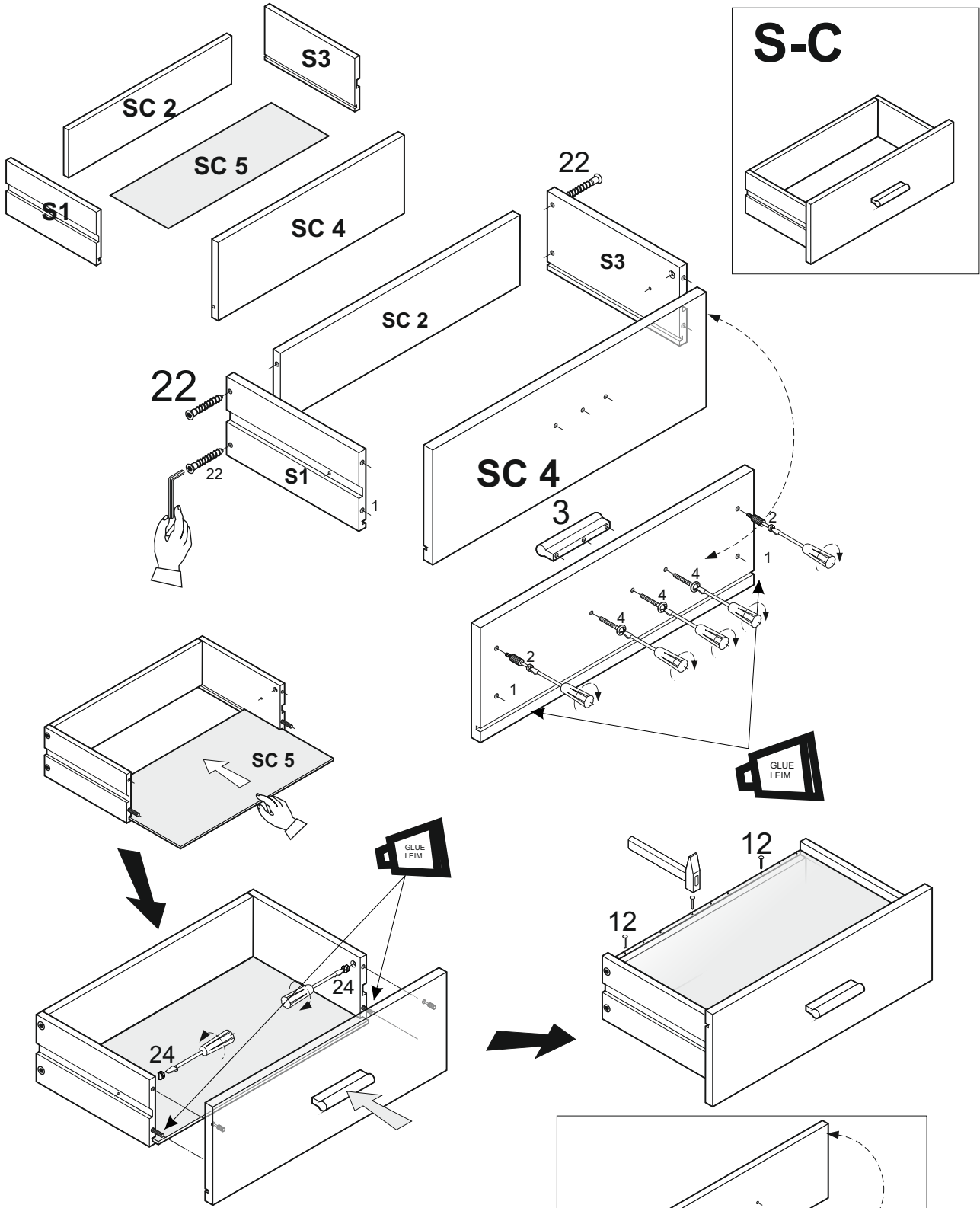




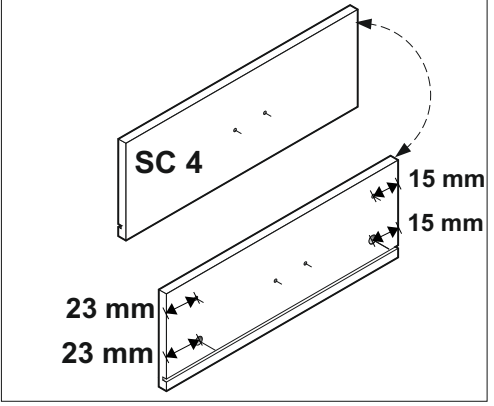
ATTENTION
Size

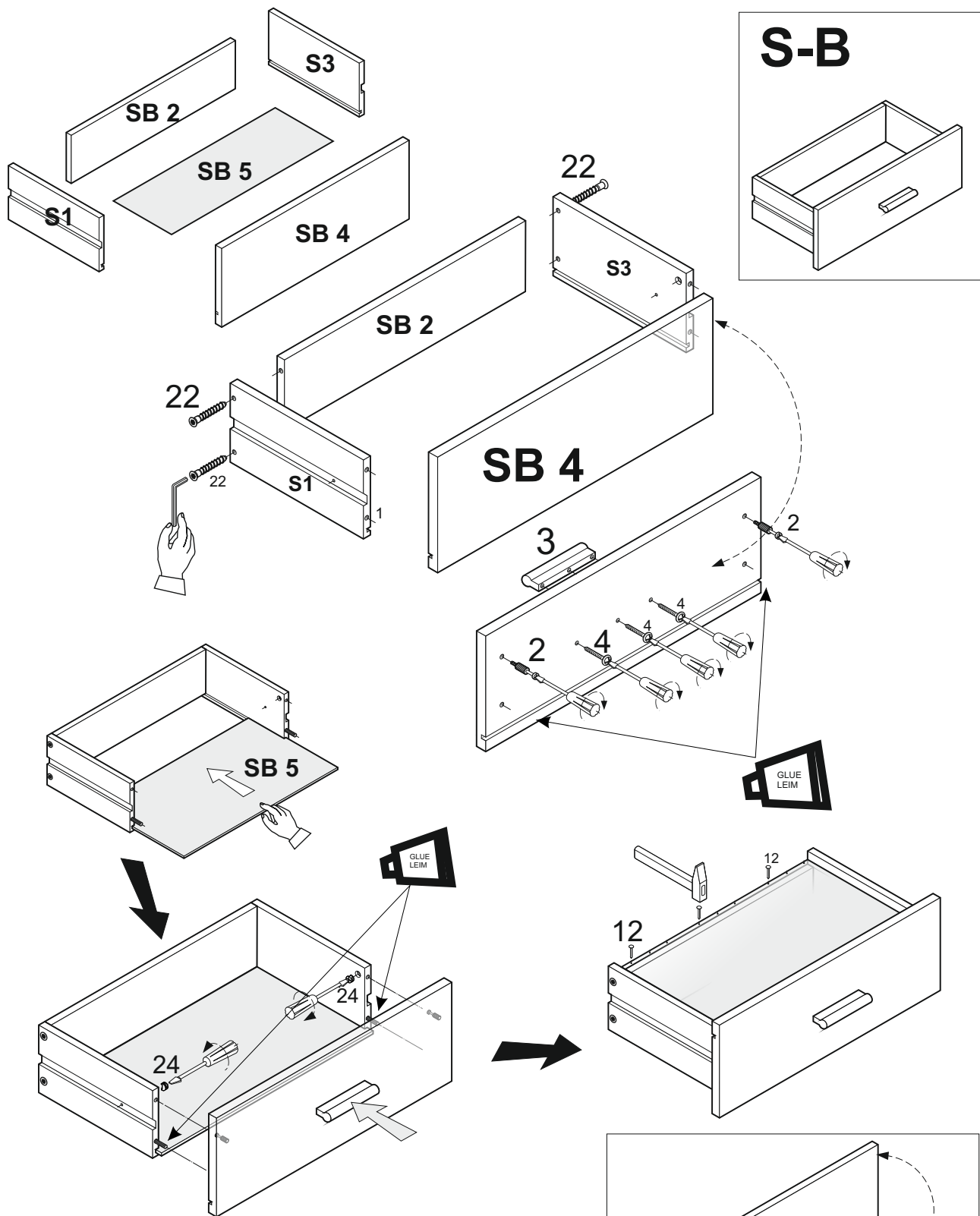
SA 2 443 MM X 85 MM
SA 5 455 MM X 378 MM





ATTENTION
Size
SC 2 443 MM X 85 MM
SC 5 455 MM X 378 MM





ATTENTION
Size

SB 2	452 MM X 85 MM
SB 5	464 MM X 378 MM

